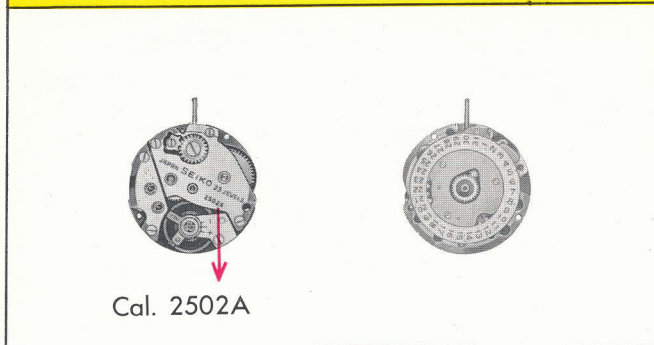
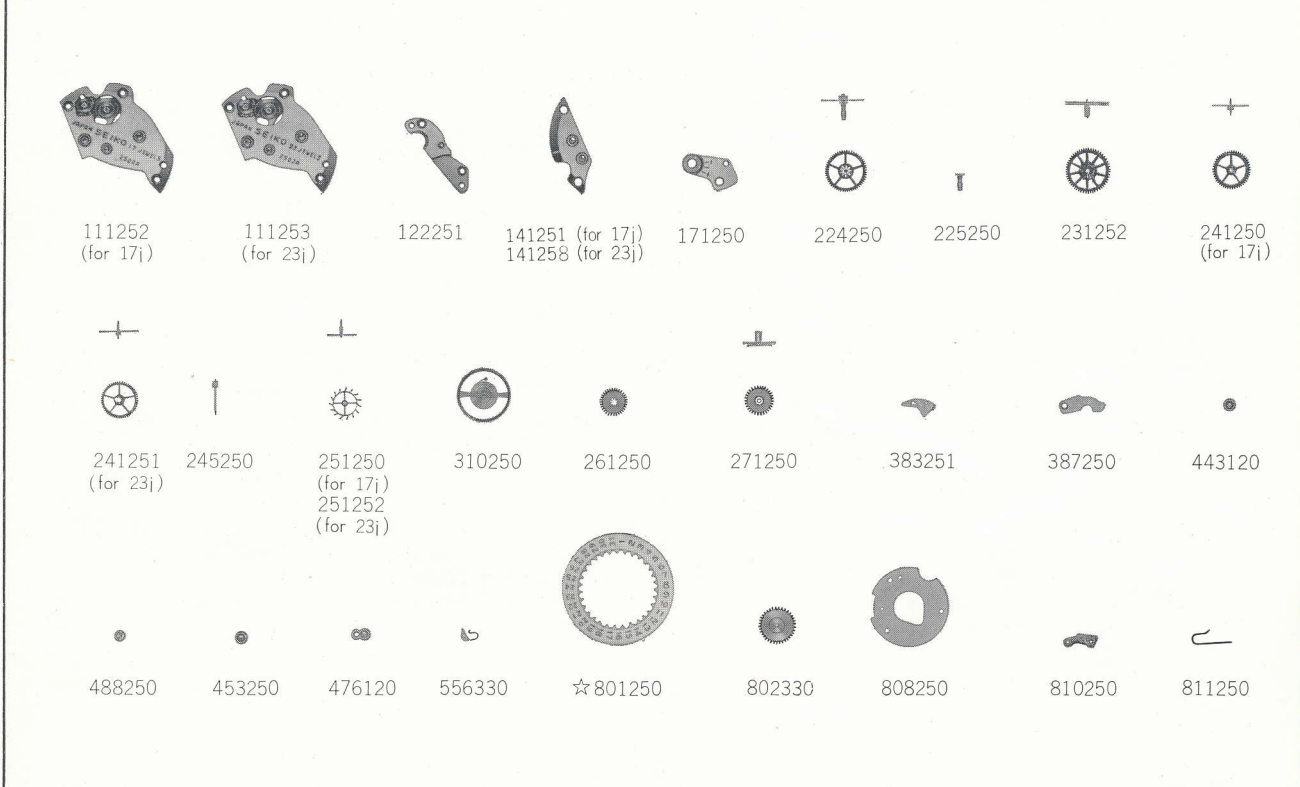


| | | |
|--|---|---|
| Calibre No. <h2 style="text-align: center;">2502A</h2> | Jewels <h2 style="text-align: center;">17j 23j</h2> | Style Name <h2 style="text-align: center;">(Chorus Calendar Special)</h2> |
| ⇨ Basic Calibre 2519A 23J Catalog No. 25-19-1 | | |



Characteristics

Casing diameter : 17.20 φmm
 Maximum height : 3.50 mm
 Vibrations per hour : 19,800
 Non-automatic with sweep second
 Calendar (date)
 "Diashock" Shock Resistant Device
 "Diafix" Oil Lubrication Device



| | | | | |
|--------|--------|--------|--------|---------------|
| | | | | $\frac{2}{1}$ |
| 012251 | 012717 | 012718 | 390251 | |

☆ ⇨ Please see remarks on the reverse page.

As for all other parts not shown here, please refer to the basic calibre
 (Cal. No. **2519A** 23j Catalog No. 25-19-1 Red page).

| | | | |
|-----------------|--------------------------------------|--------------------------|-----------------------------|
| Calibre No. | 2502A | Jewels | Style Name |
| | | 17j 23j | (Chorus Calendar Special) |
| ⇒ Basic Calibre | 2519A 23j Catalog No. 25-19-1 | | |

| PART NO. | LIST OF MATERIALS | PART NO. | LIST OF MATERIALS |
|---------------|---|-----------------|---|
| 111252 | Barrel bridge (for 17j) | 491180 | Dial washer |
| 111253 | Barrel bridge (for 23j) | 014413 | Diashock upper frame |
| 122251 | Center wheel bridge | 014414 | Diashock lower frame |
| 141251 | Fourth wheel bridge (for 17j) | 014415 | Diashock hole jewel with frame |
| 141258 | Fourth wheel bridge (for 23j) | 011212 | Diashock cap jewel |
| 161250 | Pallet cock | 014417 | Diashock spring |
| 171250 | Balance cock | 015241 | Diafix upper hole jewel with frame for 4th wheel (for 23j) |
| 205250 | Complete barrel with arbor | 015221 | Diafix upper hole jewel with frame for escape wheel (for 23j) |
| 213251 | Barrel arbor | 011204 | Diafix cap jewel (for 23j) |
| 224250 | Center wheel & pinion with cannon pinion | 015213 | Diafix spring (for 23j) |
| 225250 | Cannon pinion | 556330 | Date finger |
| 231252 | Third wheel & pinion | ☆ 801250 | Date dial |
| 241250 | Fourth wheel & pinion (for 17j) | 802330 | Date driving wheel |
| 241251 | Fourth wheel & pinion (for 23j) | 808250 | Date dial guard |
| 245250 | Sweep second pinion | 810250 | Date jumper |
| 251250 | Escape wheel & pinion (for 17j) | 811250 | Date jumper spring |
| 251252 | Escape wheel & pinion (for 23j) | 012118 | Barrel bridge screw, short |
| 261250 | Minute wheel | 012118 | Fourth wheel bridge screw |
| 271250 | Hour wheel | 012118 | Balance cock screw |
| 281250 | Setting wheel | 012120 | Dial screw |
| 282250 | Clutch wheel | 012121 | Stud screw |
| 283250 | Winding pinion | 012204 | Pallet cock screw |
| 284250 | Crown wheel | 012251 | Center wheel bridge screw |
| 285250 | Ratchet wheel | 012252 | Barrel bridge screw, long |
| 301250 | Jewelled pallet fork & staff | 012407 | Case screw |
| 310250 | Balance complete with stud | 012501 | Crown wheel screw |
| 315250 | Balance staff | 012642 | Click screw |
| 331180 | Roller with jewel | 012701 | Lower end-piece screw for escape wheel (for 23j) |
| 341250 | Regulator | 012717 | Date dial guard screw |
| 345250 | Stud holder | 012718 | Minute wheel bridge screw |
| 351251 | Winding stem | 012718 | Setting lever spring screw |
| 372250 | Joint stem (movement portion) | 011132 | Upper hole jewel for center wheel |
| 373250 | Joint stem (case portion) | 011118 | Lower hole jewel for center wheel |
| 381250 | Click | 011513 | Lower hole jewel for 3rd wheel (for 23j) |
| 382030 | Click spring | 011513 | Lower hole jewel for 4th wheel (for 23j) |
| 383251 | Setting lever | 011710 | Lower hole jewel for sweep second pinion |
| 384250 | Yoke (Clutch lever) | 011402 | Lower hole jewel for escape wheel (for 17j) |
| 385250 | Yoke spring (Clutch lever spring) | 011610 | Lower hole jewel for escape wheel (for 23j) |
| 387250 | Minute wheel bridge | 011505 | Upper hole jewel for pallet |
| 388250 | Setting lever spring | 011505 | Lower hole jewel for pallet |
| 390251 | Setting lever axle | 011110 | Hole jewel for minute wheel (for 23j) |
| 401250 | Mainspring (self-greasing) | 013004 | Tube for bridge screw, long |
| 443120 | Upper hole jewel with frame for 3rd wheel | 013113 | Tube for bridge screw, short |
| 443120 | Upper hole jewel with frame for 4th wheel (for 17j) | | |
| 453250 | Upper hole jewel with frame for escape wheel (for 17j) | | |
| 476120 | Lower end-piece for escape wheel (for 23j) | | |
| 481250 | Crown wheel ring | | |
| 488250 | Upper hole jewel with frame for sweep second pinion | | |

Remarks :

Date dial

☆ 801250 Used when both the crown and the date frame are located at **3** o'clock.

If the date dial of this calibre is required in any other type, specify ① Cal. No. ② the date frame position.

☆ ⇨ Please see remarks.

Items in light letters are not shown in photos; those parts are interchangeable with the basic calibre

(Cal. No. **2519A** 23j Catalog No. 25-19-1 Red page).